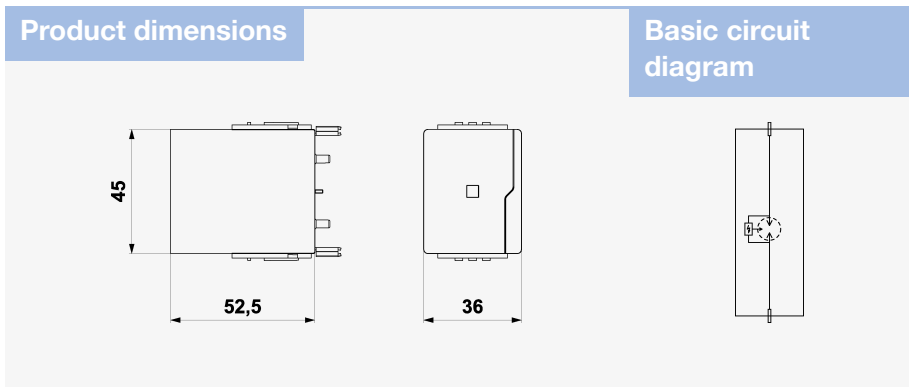
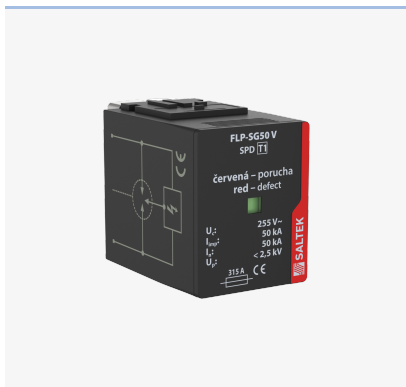


FLP-SG50 V/0

SPD - for low voltage / SPD type 1 / Spare modules

Replacement module for FLP-SG50 V

- replacement module for FLP-SG50 V



Parameter name	Parameter value
Type of SPD	T1
Maximum operating voltage	U_c 255.00 V AC
Short-circuit current rating	I_{SCCR} 50.0 kA
Lightning impulse current (10/350 μ s)	I_{imp} 50.00 kA
Nominal discharge current (8/20 μ s)	I_n 50.00 kA
Voltage protection level	U_p 2.50 kV
Ability to independently switch off the following current	I_{fi} 50.0 kA
Response time	t_a 100 ns
Fault indication	red indication field
According to standard	EN 61643-11:2012, IEC 61643-11:2011
ETIM Class	EC000941
Customs tariff number	85363090
EAN	8595090542278
Order number	A04227