

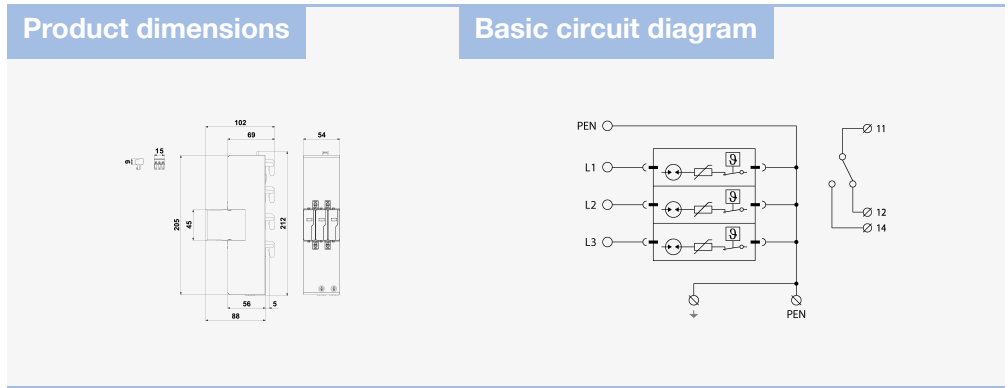
FLP-ZP-7,5-VBH/3S

SPD - for low voltage / SPD type 1 / 40 mm busbar system - T1+T2 (7,5 kA)

Combination of lightning current and surge arrester for systems TN-C

pluggable module, visual fault signalling, module locking, onto 40 mm busbar system, remote fault signalling

- high performance lightning current arrester, installation at the boundary of zones LPZ 0 and LPZ 1 or higher, mainly to main distribution boards upstream power meters
- for protection against impact of direct or indirect lightning strikes in wide range of applications – houses, office or industrial buildings, resp. to sub-distribution boards in large buildings, for application in Germany



| Parameter name | | Parameter value |
|--|---------------------|---------------------|
| Type of SPD | | T1,T2,T3 |
| Mounting | | 40 mm busbar system |
| Nominal voltage | U_n | 230 V AC |
| Maximum operating voltage | U_c | 255.00 V AC |
| Type of network | | TN |
| Maximum overcurrent protection | | 160 A gL/gG |
| Short-circuit current rating | I_{SCCR} | 25.0 kA |
| Total discharge current (10/350 μ s) | $I_{Total(10/350)}$ | 22.50 kA |
| Lightning impulse current (10/350 μ s) | I_{imp} | 7.50 kA |
| Nominal discharge current (8/20 μ s) | I_n | 20.00 kA |
| Test voltage | U_{oc} | 10.0 kV |
| Total discharge current (8/20 μ s) | $I_{Total(8/20)}$ | 100.00 kA |
| Maximum discharge current (8/20 μ s) | I_{max} | 60.00 kA |
| Voltage protection level | U_p | 1.50 kV |

| | | |
|--|-------|-------------------------------------|
| Response time | t_a | 100 ns |
| TOV 5 s L-N | | 335 V |
| TOV characteristic (TOV 5 s) | | withstand |
| TOV 120 min L-N | | 440 V |
| TOV characteristic (120 min) | | withstand |
| Cross-section of connected conductors solid (min) | | 1.00 mm ² |
| Cross-section of connected conductors solid (max) | | 35.00 mm ² |
| Cross-section of connected conductors stranded (min) | | 1.00 mm ² |
| Cross-section of connected conductors stranded (max) | | 25.00 mm ² |
| Cross-section of remote indication conductors solid (max) | | 1.5 mm ² |
| Cross-section of remote indication conductors stranded (max) | | 1.5 mm ² |
| Fault indication | | red indication field |
| Remote indication | | potential-free change-over contact |
| Remote indication contacts | | 250V/0,5A AC,250V/0,1A DC |
| Degree of protection | | IP 20 |
| Range of ambient temperatures (min/max) | | -40 / 80 °C |
| Humidity | | 5 - 95 % |
| According to standard | | EN 61643-11:2012, IEC 61643-11:2011 |
| ETIM Class | | EC000381 |
| Plug module | | FLP-ZP-7,5-VBH/0 |
| Customs tariff number | | 85363090 |
| EAN | | 8595090566229 |
| Order number | | A06622 |