

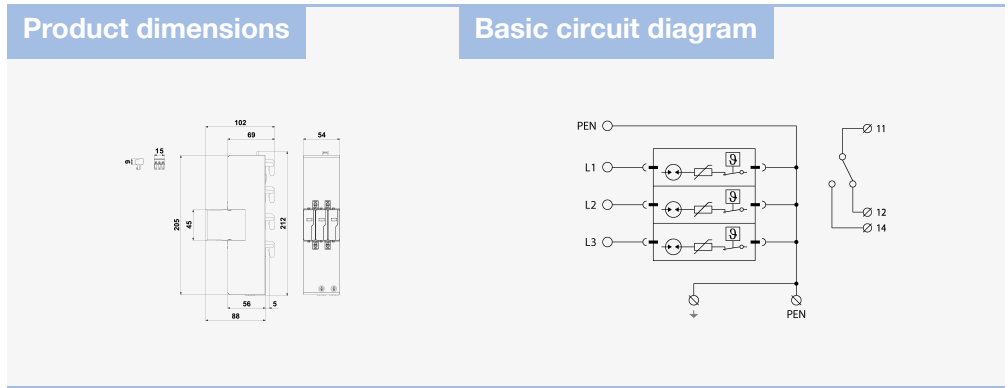
FLP-ZP-12,5-VBH/3S

SPD - for low voltage / SPD type 1 / 40 mm busbar system - T1+T2 (12,5 kA)

Combination of lightning current and surge arrester for systems TN-C

pluggable module, visual fault signalling, module locking, onto 40 mm busbar system, remote fault signalling

- high performance lightning current arrester, installation at the boundary of zones LPZ 0 and LPZ 1 or higher, mainly to main distribution boards upstream power meters
- for protection against impact of direct or indirect lightning strikes in wide range of applications – houses, office or industrial buildings, resp. to sub-distribution boards in large buildings, for application in Germany



Parameter name		Parameter value
Type of SPD		T1,T2,T3
Mounting		40 mm busbar system
Nominal voltage	U_n	230 V AC
Maximum operating voltage	U_c	255.00 V AC
Type of network		TN-C
Maximum overcurrent protection		160 A gL/gG
Short-circuit current rating	I_{SCCR}	25.0 kA
Total discharge current (10/350 μ s)	$I_{Total(10/350)}$	37.50 kA
Lightning impulse current (10/350 μ s)	I_{imp}	12.50 kA
Nominal discharge current (8/20 μ s)	I_n	20.00 kA
Test voltage	U_{oc}	10.0 kV
Total discharge current (8/20 μ s)	$I_{Total(8/20)}$	100.00 kA
Maximum discharge current (8/20 μ s)	I_{max}	60.00 kA
Voltage protection level	U_p	1.50 kV

Response time	t_a	100 ns
TOV 5 s L-N		335 V
TOV characteristic (TOV 5 s)		withstand
TOV 120 min L-N		440 V
TOV characteristic (120 min)		withstand
Cross-section of connected conductors solid (min)		1.00 mm ²
Cross-section of connected conductors solid (max)		35.00 mm ²
Cross-section of connected conductors stranded (min)		1.00 mm ²
Cross-section of connected conductors stranded (max)		25.00 mm ²
Cross-section of remote indication conductors solid (max)		1.5 mm ²
Cross-section of remote indication conductors stranded (max)		1.5 mm ²
Fault indication		red indication field
Remote indication		potential-free change-over contact
Remote indication contacts		250V/0,5A AC,250V/0,1A DC
Degree of protection		IP 20
Range of ambient temperatures (min/max)		-40 / 80 °C
Humidity		5 - 95 %
According to standard		EN 61643-11:2012, IEC 61643-11:2011
ETIM Class		EC000381
Plug module		FLP-ZP-12,5-VBH/0
Customs tariff number		85363090
EAN		8595090566267
Order number		A06626